

Specifications*

MODEL		SX25
ENGINE (DIESEL)		
Model		Shibaura S773L-EU
Typ		3-cylinder water-cooled diesel engine
Displacement	cc	1131
Gross power	SAE hp/ (kW) / DIN hp/ (kW)	30.0 (22.5) / 26.0 (19.4)
Torque	Nm @ rpm.	67.0 @ 2400
Rated speed	rpm.	3000
Fuel tank capacity	l.	26
TRANSMISSION		
Transmission		Hydrostatic
Range		V/R 2
Driving speed	Forward	0 - 17.0
	Reverse	0 - 11.5
4-wheel drive		mechanical
Differential lock		mechanical
Brake		wet disc
TIRES		
Industrial/ terra	Front	18x8,50-8 R4
	Rear	26x12,00-12 R4
Turf	Front	18x8,50-8 R3
	Rear	26x12,00-12 R3
PTO		
Power	hp	20.5
Rear	l/min.	540
Mid	l/min.	2000
Rear		option
HYDRAULIC SYSTEM		
Pump capacity	l/min.	24.6
Steering		Hydraulic power steering
Control valve		option: 1 x double acting rear
3-point hitch		Category I
Max. lifting capacity	kg	715
DIMENSIONS		
Length	mm	2445
Width	mm	1180
Height	mm	2280
Ground clearance	mm	185
Wheel base	mm	1400
Weight inkl. ROPS	(kg)	696

*We reserve the right to discontinue models or change specifications without notice.

SUBCOMPACT TRACTOR

SX25

SHIBAURA



Important information

* Improper use of any product may cause serious or fatal injury. Read carefully the operating and safety instructions in your owners manual before use.



SHIBAURA EUROPE BV
 Begonialaan 7
 NL - 6851 TE Huissen
 T. 0031 (0)26 326 9999
 F. 0031 (0)26 326 9990
 E. info@shibaura.com
 I. www.shibaura.com

Dealer:

LEVERS



Various levers (HST Hi-Lo range shift, PTO select/clutch, etc.) are arranged either side of the operator seat in an optimal layout to ensure comfortable operation.

POWER STEERING



Power steering as standard means less operator fatigue, even under tough conditions.

SHIBAURA ENGINE



Reliable and fuel-efficient SHIBAURA S773L diesel engine.

OPTIONAL IMPLEMENTS

CABIN



The SX25 can be equipped with a cabin. Height: 196,5 cm.

FRONTLOADER: FL26



SPECIFICATIONS

Maximum lift height to pivot pin: 1810 mm
 Maximum lift height under level bucket: 1638 mm
 Clearance with bucket dumped: 1298 mm
 Maximum dump angle: 45°
 Maximum rollback angle: 27°
 Dig depth: 130 mm
 Breakout force at bucket pivot pin: 604 kg
 Lift capacity to maximum height: 306.3 kg

REAR PTO & 3-POINT HITCH



Combined with the rear PTO and SAE category-1 three-point hitch, a variety of implements and attachments can be fitted according to the type of works.

HOOD



An extremely wide-opening hood provides good serviceability to the engine, air filter, and electrical components.



MIDMOUNTED MOWER



SPECIFICATIONS

Mowing width: 1372 / 1524 mm
 Weight: 100 / 113 kg
 Mowing height adjustable in 7 steps: 25-102 mm

TIRES

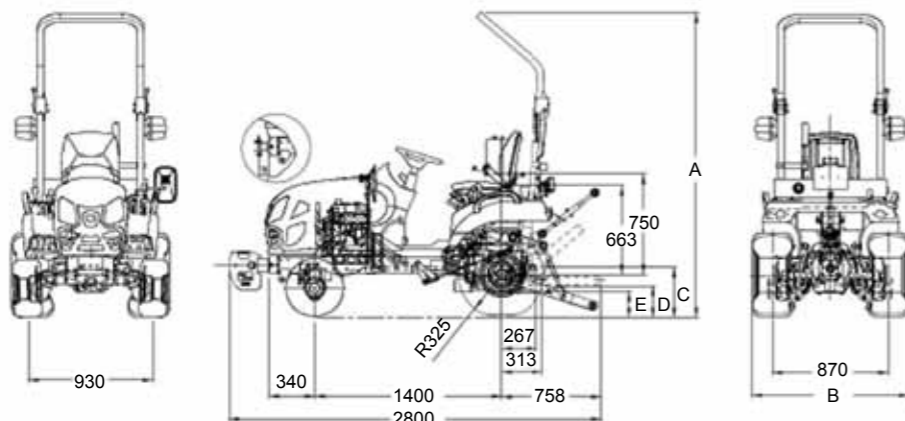


Turf tire (left) & Industrial/ Terra tire (right)

FRONTLIFT & FRONT PTO



Double acting frontlift with A-frame.



	Turf	Industrial
FRONT	18x8.5-8 R3	18x8.5-8 R4
REAR	26x12.00-12 R3	26x12.00-12 R4
A	2280	2285
B	1183	1183
C	370	375
D	234	239
E	195	200