

ST450/ST460 Specifications

Model		ST450	ST460	
Transmission		HST	SSS	EHSS
Engine				
Model		Shibaura N844LT-D		Shibaura N844LT-D
Gross hp	hp(kw)	48.3(36)		
PTO hp	hp(kw)	38.2(28.5)	51(38.0)	50(37.3)
Number of cylinder		4		
Displacement		2216 with Turbo		
Rated rpm		2500		
Alternator		55		
Fuel tank capacity		54		
Drive train				
Type		HST		24 x 24
Range		2 x 2		3
Creeper		NA		STD
Ground speeds	Forward	km/h	0-30.3	0.18-31.34
	Reverse	km/h	0-21.2	0.20-33.72
Brakes		Wet Disc		Wet Disc
PTO	Rear	Type	Independent	
		Revolution	2 speeds : 540/750rpm	
	Mid	Standard		NA
Hydraulics				
HPL Pump capacity @rated engine rpm		/min	35.5	45.5
P/S Pump capacity		/min	18.6	20.8
3-P lift capacity @ lift hitch		kg	1486	1975
3-P lift capacity @24 behind LP		kg	1059	1570
3-P hitch category		&		
Hydraulic position control system		STD		STD
Hydraulic draft control system		Option		STD
Steering system		Power steering		Power steering
Tyre size				
Ag	Front	8-16		9.5-16
	Rear	13.6-24		14.9-28
Turf	Front	27 x 10.50-15		27 x 10.50-15
	Rear	475/65D20		475/65D20
Turf(FD)	Front	8-16		NA
	Rear	13.6-28		NA
Industrial	Front	10-16.5		NA
	Rear	17.5L-24		NA
Weight				
Ag	kg	1545	1905	1920
Turf	kg	1545	1820	1835
Turf(FD)	kg	1565	NA	
Industrial	kg	1635	NA	

TRACTOR  
ST450·ST460

**SHIBAURA**



**Important information**

Improper use of any product may cause serious or fatal injury. Read, understand and follow carefully the operating and safety instructions in your owner's manual before using such products.

We reserve the right to discontinue models or change specifications without notice.



**IHI Shibaura Machinery Corporation**

BYGS Shinjuku Bldg., 2-19-1 Shinjuku,  
Shinjuku-ku, Tokyo, 160-0022, Japan  
TEL +81-3-5312-9660 FAX +81-3-5312-9668  
URL: <http://www.ih-shibaura.com>

INT-TR-STS-1207-DN-10

Explore the Engineering Edge



IHI Shibaura Machinery Corporation



## ST450 HST( 48.3HP )

New HST technology offers simple and functional operating control.



### Driver's Comfort

The tilt steering wheel provides a comfortable driving position for the operators.



### Reliable Shibaura Engine

Durable turbo charged Shibaura engine provides effortless power for the toughest jobs.



### HST Hi/Lo Speed Control

Conveniently located Hi/Lo shift lever easily and quickly expands your speed options in each range on demand.



### Cruise Control

The cruise control allows you to set the driving speed effortlessly.



### Compact Design

ST450 can negotiate narrow spaces like bike paths.



### Independent PTO

The independent PTO clutch allows the PTO to be independently engaged/disengaged while the tractor is in motion.



### Wide Variety Tyres

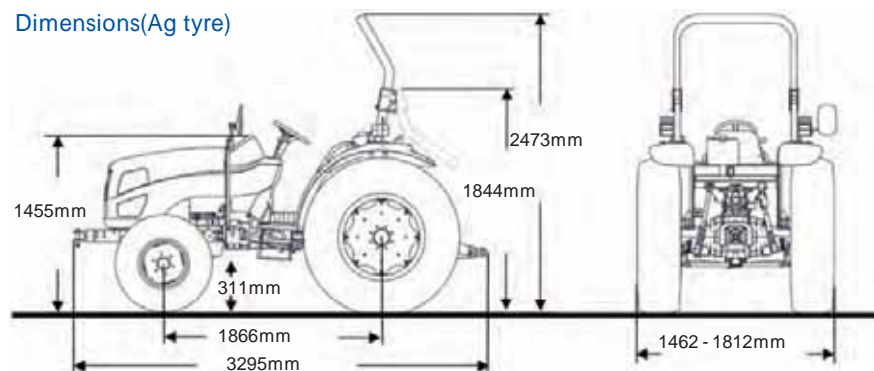
Select the optimum tyres to suit your working conditions. (AG/TF/Industrial/FD)



### Remote Control Valves(Optional)

2 pairs of optional hydraulic valves ensures a wide variety of hydraulically actuated implements can be fitted.

### Dimensions(Ag tyre)



	TF	Industrial	FD
	3295	3295	3295
	1866	1866	1866
	2434	2512	2517
	1805	1883	1888
	1409	1458	1463
	1733	1685-2025	1482-1832
	272	350	355

( mm )

## ST460 SSS/EHSS( 60HP )

High performance 60hp tractor provides the versatility to operate any implements.



### Driver's Comfort

Unique tilt and telescopic steering wheel provides the perfect driving position for all operators.



### Reliable Shibaura Engine

Durable turbo charged Shibaura engine provides effortless power for the toughest jobs.



### CAT & 3-point Hitch

Category and 3-point hitch enables you to fit a wide variety of implements.



### PTO Control Switches

You can select Transmission PTO and Independent PTO to suit your working conditions.



### EHSS(Electro Hydraulic Shuttle Shift)transmission

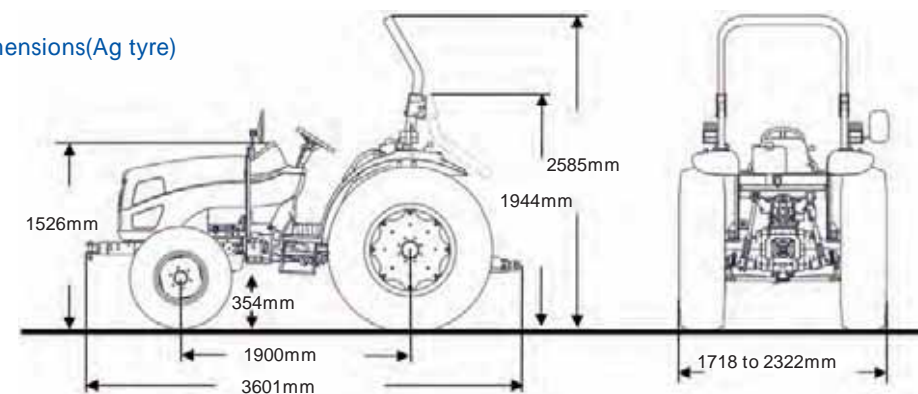
The Electro-hydraulic clutch system provides easy forward/reverse shifting, without clutching operation with the pedal.



### Remote Control Valve(Optional)

3 pairs of optional hydraulic valves ensures a wide variety of hydraulically actuated implements can be fitted.

### Dimensions(Ag tyre)



Turf Tyre
3601
1900
2452
1813
1425
1846
273

( mm )